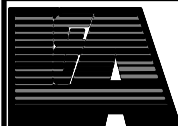


TYPICAL SECTION

**SEWER SENTRY™ INSERT
STANDARD MANHOLE**

SCALE: N.T.S.

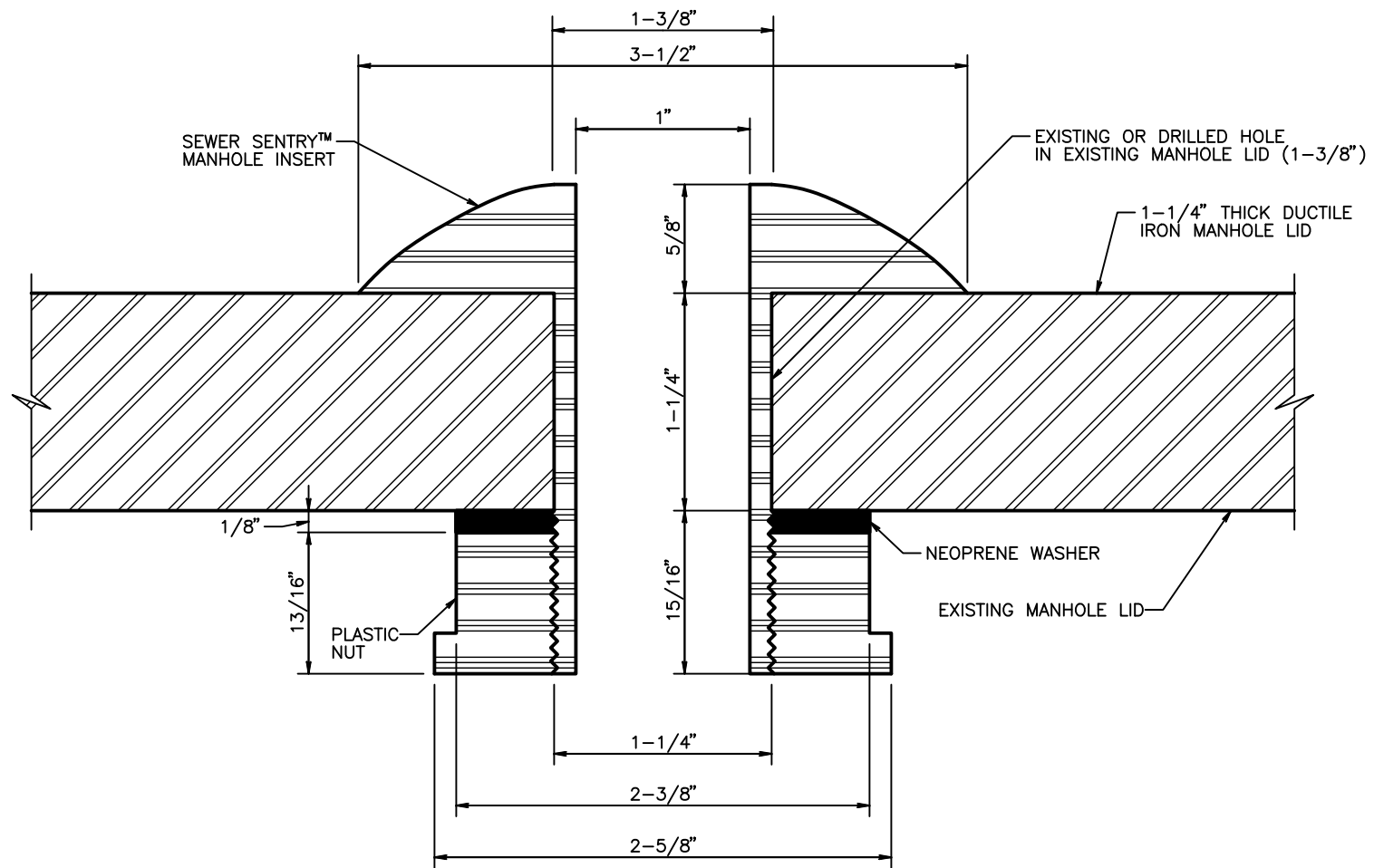


**SEWER SENTRY™
INSERT DETAILS**

NO.	DATE	REVISION DESCRIPTION	BY

DESIGNED CHECKED	J.G.L. J.G.L.	PARISH	OUACHITA
DETAILED CHECKED	L.L.M. J.G.L.	CONTROL SECTION	
DATE	4/2019	L&A, INC.	
SERIES #	1 OF 3	PROJ. NO.	

SHEET
NO. 1

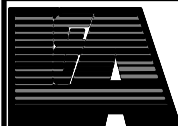


SEWER SENTRY™ MANHOLE INSERT INSTALLATION DETAIL

SCALE: N.T.S.

NOTE:

SPANNER WRENCHES ARE USED TO TIGHTEN THE SEWER SENTRY ON TO THE LID. INSTALLMENT VIDEO CAN BE SEEN AT WWW.SEWERSENTRY.COM.



**SEWER SENTRY™
INSERT DETAILS**

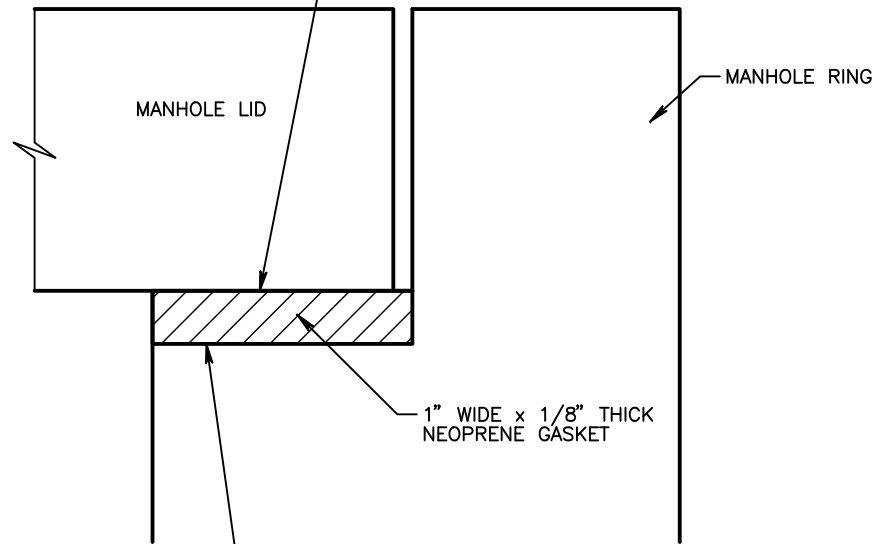
NO.	DATE	REVISION DESCRIPTION	BY

DESIGNED CHECKED	J.G.L. J.G.L.	PARISH	OUACHITA
DETAILED CHECKED	L.L.M. J.G.L.	CONTROL SECTION	
DATE	4/2019	L&A, INC.	
SERIES #	2 of 3	PROJ. NO.	

SHEET NO. 2

* AREA OF LID THAT SETS ON MANHOLE RING SHELF

REMOVE ALL RUST AND DUST USING DISC SANDER AND ACETONE. TREAT CLEANED AREA WITH OSPHO RUST TREATMENT (WWW.OSPHO.COM) IN ACCORDANCE WITH MANUFACTURER INSTRUCTIONS. (INSTALLATION VIDEO CAN BE SEEN AT WWW.SEWERSENTRY.COM)

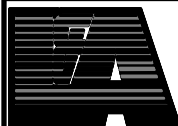


* MANHOLE RING SHELF:

ROUGH UP ONE SIDE OF A RUBBER GASKET (1/8 INCH NEOPRENE) USING A BELT SANDER. REMOVE ALL RUST AND DUST USING A SANDING DISK AND ACETONE. GLUE ROUGH SIDE OF RUBBER DISK TO THE MANHOLE RING SHELF USING CHEMREX CX 948. (INSTALLATION VIDEO CAN BE SEEN AT WWW. SEWERSENTRY.COM). RUBBER GASKET SHALL BE TRIMMED IN ORDER NOT TO OVER LAP.

SEWER SENTRY™ MANHOLE NEOPRENE RUBBER GASKET INSTALLATION DETAIL

SCALE: N.T.S.

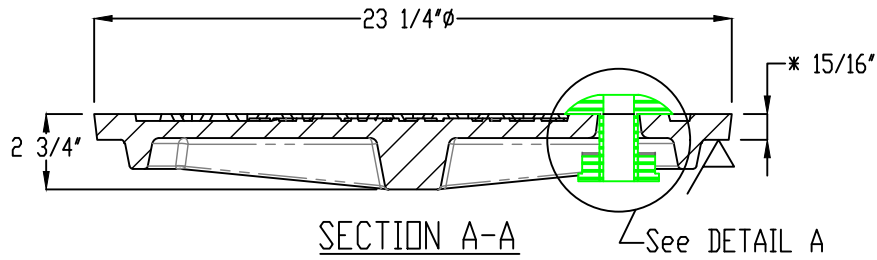


**SEWER SENTRY™
INSERT DETAILS**

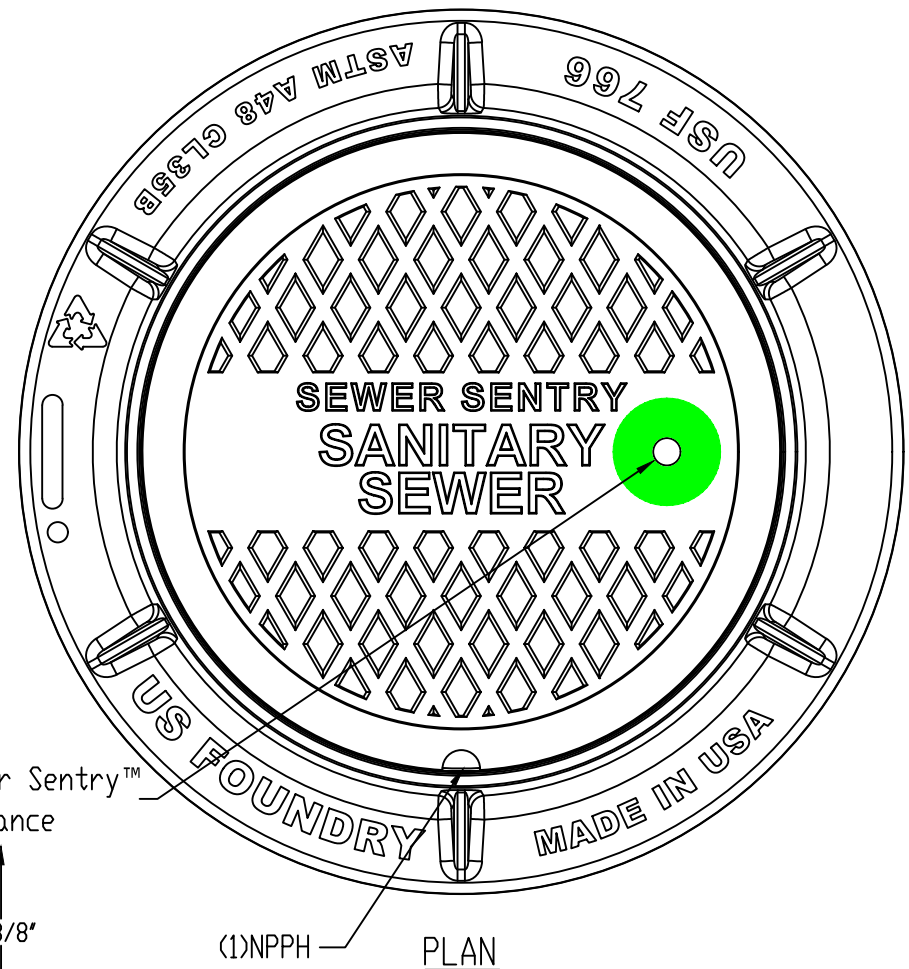
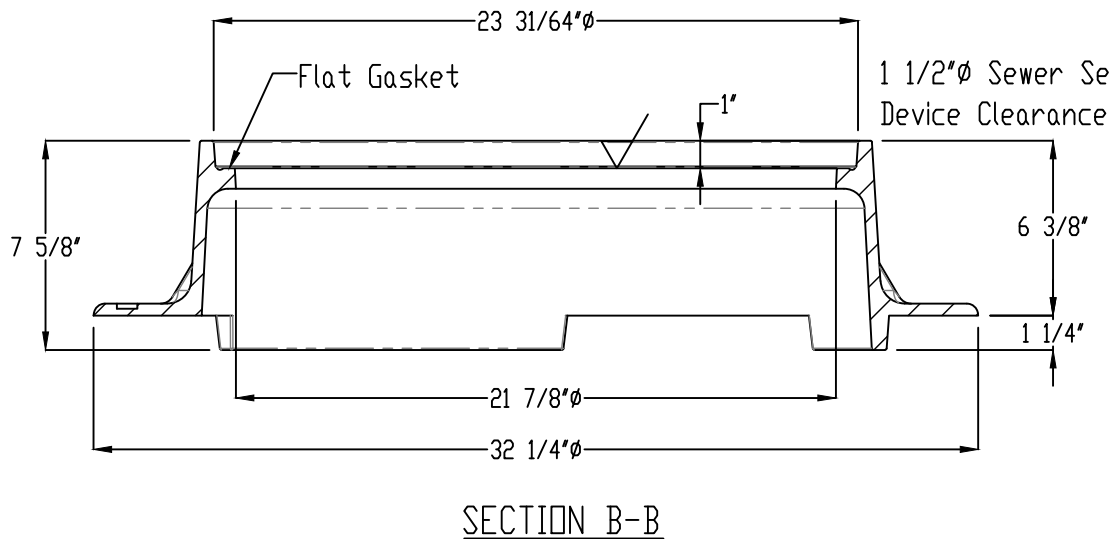
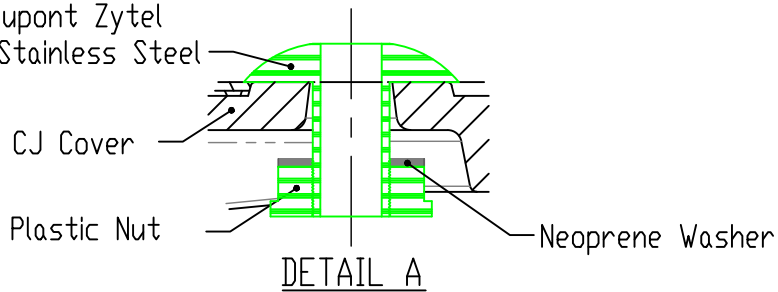
NO.	DATE	REVISION DESCRIPTION	BY

DESIGNED CHECKED	J.G.L. J.G.L.	PARISH	OUACHITA
DETAILED CHECKED	L.L.M. J.G.L.	CONTROL SECTION	
DATE	4/2019	L&A, INC.	
SERIES #	3 of 3	PROJ. NO.	

SHEET NO. 3



Sewer Sentry™
Manhole Insert
in Dupont Zytel
or Stainless Steel



Note:
* Seat is over machined for gasket adjustment

		101 Ashland Way Madisonville, LA, 70447 ph 318-381-5445 sewersentry.com	
		©2020 All Rights Reserved	
USF 766 Ring & CJ Cover w/ Sewer Sentry Device			
ITEM	BAAN #	MATERIAL:	
Ring	8020612	Gray Cast Iron ASTM A48 Class 35B	
Cover	8015881	LOAD CLASSIFICATION:	
Assembly	8026384	Heavy Duty	
REV	REV DATE	REV BY	DRAWN DATE
			6/5/2020
DRAWING SCALE: NOT TO SCALE		DRAWN BY	ROUTE #
		JWG	